

SPECIFICATIONS

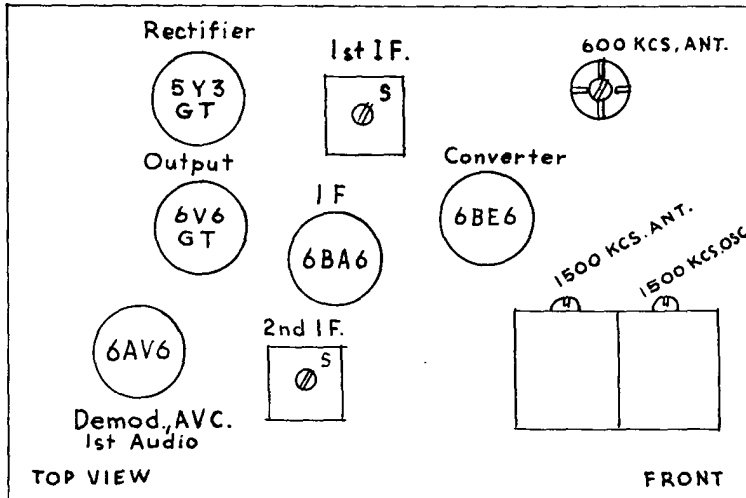
Voltage Rating 105-120 Volts A.C.
 Type of Circuit Superheterodyne
 Tuning Range 535 kc.-1700 kc.

Number and Type of Tubes—5

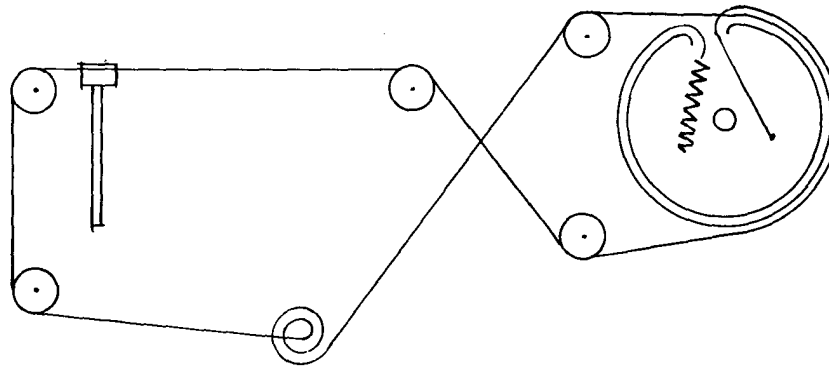
- 1—6BE6 Converter
- 1—6BA6 I.F. Amplifier
- 1—6AV6 Detector, AVC, First Audio
- 1—6V6GT Output Amplifier
- 1—5Y3GT Rectifier

2051

2051 TUBE LAYOUT AND TRIMMER LOCATIONS



DIAL CORD ARRANGEMENT FOR 2051



WITH THE GANG CONDENSER PLATES FULLY MESHD SET THE POINTER TO THE CALIBRATION POINT AT THE TOP LEFT HAND END OF THE DIAL PLATE

VOLTAGE CHART FOR MODEL 2051

SOCKET	FUNCTION	PIN 1	PIN 2	PIN 3	PIN 4	PIN 5	PIN 6	PIN 7	PIN 8
5Y3GT	Rectifier	0	345	0	(320)	0	(320)	0	—
6V6GT	Power Output	0	0	350	230	0	0	(6.45)	—
6AT6	Detector AVC 1st Amplifier	-.3	0	0	(6.45)	-.25	-.4	65	—
6BA6	I.F. Amplifier	-.4	0	0	(6.45)	230	95	-.17	—
6BE6	Converter	-4.75	0	0	(6.45)	230	142	125	—

Figures in parentheses are A.C. readings. Total D.C. current drain 67 ma. Line volts 117, frequency 25 cycles.

IDENTIFICATION TABLE

Model	Chassis	Cabinet	Speaker	Phono Equip.	Input Power Rating
2051W	02553	02571	155976	148975—25 cycle or	65 watts at 117 line volts
2051M	02553	02790	155976	148976—60 cycle	Intermediate Frequency 455 kc.
					Speaker Voice Coil Impedance (P.M.) 6-8 ohms, 400 cycles
					Power Output Maximum 8.0 watts, 10% distortion 4.0 watts

ALIGNMENT PROCEDURE

Band and Pointer Setting	Generator Setting	Input and Dummy	Meter Connections	Trimmer Adjustments and Notes
--------------------------	-------------------	-----------------	-------------------	-------------------------------

I.F. ALIGNMENT

Lower end of band.	455 KC.	Signal Generator through .1 mfd. capacitor to pin No. 1 of 6BA6 I.F. amplifier socket.	Output meter across voice coil.	Adjust the iron cores (top and bottom) of the 2nd I.F. transformer L12 and L13 for maximum output with minimum signal input. Signal should be approx. 3,000 uvs.
Lower end of band.	455 KC.	Signal Generator through .1 mfd. capacitor to pin No. 7 of the 6BE6 socket.	Output meter across voice coil.	Adjust the iron cores (top and bottom) of the 1st I.F. transformer L10 and L11 for maximum output with minimum signal input. Signal should be approx. 30 to 40 uvs. Return to the 2nd I.F. transformer and adjust the bottom core L13 to attain maximum overall sensitivity and correct tracking. After this adjustment is made, DO NOT touch any of the other cores.

R.F. ALIGNMENT

With the gang capacitor fully meshed, adjust the pointer to coincide top and bottom with the two calibration marks located at the extreme low frequency end of the dial scale.

1500 K.C.	1500 KC.	Connect a 30% modulated signal to the antenna ground terminals through a standard IRE dummy antenna or 200 mfd. capacitor. The loop antenna must be connected across the loop terminals.	Output meter across voice coil.	(1) Adjust oscillator trimmer capacitor C5 for maximum output and correct calibration. (2) Adjust the antenna trimmer C2 for maximum output, rocking the gang for correct peak.
		Connect a 30% modulated signal to the antenna ground terminals through a standard IRE dummy antenna or 200 mfd. capacitor. The loop antenna must be connected across the loop terminals.	Output meter across voice coil.	(3) Adjust the antenna coil L2 iron core for maximum output, rocking the gang for correct peak. Repeat steps 1, 2, 3 until no further improvement is noted.